

Steelcase®



D1010

FlipTop Twin
Conferencing

Visit Steelcase.com

 facebook.com/Steelcase  twitter.com/Steelcase  youtube.com/SteelcaseTV

Concept and Design / Steelcase
DC150EN 04/15 © 2015 Steelcase® All rights reserved. All specifications subject to change without notice.
Printed on at least 60% recycled paper. Cert no. BV-COC-858659. Printed in France by OTT Imprimeurs – Wasselonne.



Steelcase



Speed up configurations

Intelligent products can significantly reduce the costs associated with conference rooms by increasing their rate of use. Users need facilities to be flexible, they need to be able to set up different configurations quickly and easily and to handle speedy changeovers between training sessions, group meetings or conferencing. FlipTop Twin has been specifically conceived for this purpose and offers a multiplicity of uses and simple mechanisms.



C4551 | FLIPTOP TWIN TABLE (AT/ZW), QIVI COLLABORATIVE CHAIRS (AT03/NET01), MOBILE ELEMENTS, H.SYSTEM



C4586 | FLIPTOP TWIN TABLE (AT/ZW), QIVI COLLABORATIVE CHAIRS (AT03/NET01), MOBILE ELEMENTS, H.SYSTEM

Easy reconfiguration

Cutting costs is of paramount importance in today's tough economic climate. Organisations expect more from their floor space and need meetings to be quick and efficient.

Yet group work is dynamic and requires different settings and environments. Individuals may need to quickly transform a U-shape configuration into several blocks for small team work.

Space optimisation is made easy with FlipTop Twin tables and Pin Boards. Thanks to the intuitive folding mechanism, the casters and the plate connectors, the FlipTop Twin tables are quickly installed and easily reconfigured by the users. The Pin Walls can be used as space dividers to create small group spaces.



How it works

We observed that most meeting tables are not intuitive to set up and use and cable management in meeting rooms can be awkward and inadequate. FlipTop Twin allows an easy use and installation.

SPACE EFFICIENCY

Due to its flexibility and modularity, FlipTop Twin guarantees efficient use of meeting space. Unused elements can be stored neatly to clear surface areas.



QUICK AND EASY INSTALLATION

FlipTop Twin is 100% symmetric. The top can be flipped to both sides either by hand or foot and it can be used from both sides. A tested safety mechanism ensures stability and is easily accessible from any angle.



POWERBOX OPTION

Comprises built-in housing, triple socket (UK double socket incl. fuse), power cable and connection cable.



INTEGRATED CABLE MANAGEMENT

Pre-assembled electrification allows quick installation and easy user access to power. Power connection between the tables can be installed simply.



D1009 | FLIPTOP TWIN TABLE (WY/ZW), QIVI COLLABORATIVE CHAIRS (TR13/TR16/NET05)

Teaming in small groups

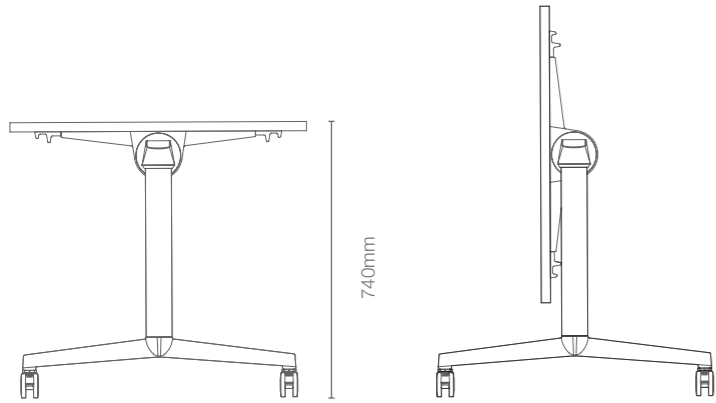
Having a dedicated team area in which people are located for the duration of a project, can double productivity according to research conducted by the University of Michigan.

Supporting collaboration for small groups is about creating spaces that:

- Are dedicated to impromptu meetings.
- Provide small areas where two or three people can gather close to their workstation.
- Use vertical surfaces to support a variety of media (digital and paper).
- Provide efficient technology so that anyone can project and share data equally.

STATEMENT OF LINE

DIMENSIONS



SYSTEM OVERVIEW

TABLE TOP SHAPES	DIMENSIONS IN MM	CORNER RADIUS 3MM	CORNER RADIUS 50MM	POWERBOX (OPTIONAL)
 Round corner	W 1300 D 650	•	•	•
	W 1400 D 700	•	•	•
	W 1500 D 750	•	•	•
	W 1600 D 800 900	•	•	•
	W 1800 D 800 900	•	•	•
	W 2000 D 800 900	•	•	•
 Square corner	W 1800 D 1000	•	-	-
	W 2000 D 1000	•	-	-
 90°	ø 1600	•	•	-
	ø 1800	•	•	-
	90° / W 800 / 800	•	-	-
	165° / W 800 / 800	•	-	-

SURFACE MATERIALS

Surface materials (shown in brochure):

MELAMINE, VENEER & PAIN

- WY Snow
- AT Acacia
- W5 Walnut
- NU American Walnut
- ZW Pearl Snow

Colours are representative and may vary slightly from actual material.

SUSTAINABILITY

DESIGNING FOR THE ENVIRONMENT REQUIRES INNOVATIVE THINKING AND SOLUTIONS.



LIFE CYCLE

During our products development process we consider each stage of the life cycle: from materials extraction, production, transport, use and reuse, until the end of its life.

Thanks to the Life Cycle Assessment (LCA) method, Steelcase quantified FlipTop Twin's environmental impacts to set the stage for further improvements.

This method, based on ISO 14040 and 14044 and selected by The European Union for environmental evaluation, allows us to quantify the environmental impact of our products throughout their whole lifecycle.

MATERIALS

57% recycled materials, by weight (33% pre-consumer + 24% post-consumer).

Packaged with 80% recycled cardboard that uses water-based inks without solvents.

Low formaldehyde emissions of wood based panels according to ISO 16000 (<20µg/m3).

PRODUCTION

Made by Steelcase in Rosenheim (Germany).

Uses powder-coat paints: VOC-free and free of heavy metals.

Water-based adhesives used in manufacturing.

TRANSPORT

Manufactured close to customers, in Europe.

Optimised packaging weight and volume to improve filling rates.

USE

Designed for a long product life, with replaceable parts.

Materials meet stringent health and indoor air quality criteria.

Maintenance information available upon request.

END OF LIFE

98% theoretically recyclable by weight.

100% theoretically recyclable cardboard and LDPE film for packaging.

35 to 40% of the Expanded PP corners are returned to be reused.

Designed for quick and easy disassembly of materials.

Plastic parts clearly labelled for easy sorting and effective recycling, according to ISO 11469.

Designed to enable responsible end of use strategies - refurbishing, charitable donation or recycling.

CERTIFICATIONS

To show continuous improvements, we communicate FlipTop Twin's environmental performance through voluntary environmental labels and declarations. Sustainability related actions and results are communicated in the annual Steelcase Corporate Sustainability report.

PRODUCT

EPD - Environmental Product declaration

Blauer Engel

Indoor Advantage Gold

MATERIALS

PEFC - Programme for the Endorsement of Forest Certification

PLANTS

ISO 14001 - Environmental management system

EMAS - European Eco-Management and Audit Scheme

FIND OUT MORE

Visit [steelcase.com](https://www.steelcase.com) to discover more about Steelcase's unique ecodesign strategy.